



# PROVEN PERFORMER

## On-Premises Laundry

LFNE5B (front loading washer),  
LDEE5B (electric dryer), LDGE5B (gas dryer)

### Front loading washer features

- Improved suspension with new out-of-balance logic manages and redistributes unbalanced loads for uninterrupted wash cycles
- High spin speed up to 440 G-Force removes more water from clothes, speeding up drying cycles and lowering dryer energy usage
- A pump drain allows our front load washers to be installed adjacent to or replace top load washers with no special plumbing

### Single dryer features

- Durable galvanized steel cylinder with an extra-large 198 litres of volume
- Efficient dryer heating with 5,000 kCal (gas models) and up to 4,000 Watts (electric models)
- Large, easy-to-clean lint compartment
- Reversible door
- 1913.8 sq. cm door opening is the largest in the industry, providing easy loading and unloading



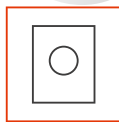
LARGE DOOR OPENING



LOW WATER CONSUMPTION



LOW ENERGY CONSUMPTION



ROBUST DESIGN

### Controls

#### Front loading washer Electronic Control

The Electronic Control keeps users informed throughout the wash process with cycle status lights and a digital cycle countdown. Users also have the flexibility to control temperature, load type, and soil levels, as well as the option of a pre-wash and/or additional rinse to achieve high levels of efficiency.

#### Single dryer Electronic Control

The Electronic Control keeps users informed throughout the drying process with cycle status lights and a digital cycle countdown. Automatic (moisture sensing) cycles come standard.



LFNE5B



LDEE5B, LDGE5B

	<b>LFNE5B</b>	<b>LDEE5B (Electric) LDGE5B (Gas)</b>
Type	Front Loading Washer	Single Dryer
Control	Electronic	Electronic
Control location	Front	Front
<b>Drum</b>		
Capacity kg	10	10
Cylinder volume litres	96.8	198
<b>Drum speed</b>		
Spin speed G-Force	440	N/A
Spin speed rpm	1200	N/A
<b>Motor</b>		
Motor size kW	Variable speed induction 0.67	0.25
<b>Cabinet</b>		
Cylinder finish	Stainless steel	Galvanized
Colours	White	White
Door type (solid/window)	Window	Solid
<b>Heating</b>		
Heat sources	N/A	Gas or Electric
Heating element (Electric W)	N/A	4000
<b>Connection</b>		
Gas inlet connection mm	N/A	9.5
Gas consumption BTU/Hr	N/A	60 Hz: 22,500, 50 Hz: 20,000
Exhaust outlet dia. mm	N/A	102
Exhaust airflow litres/sec	N/A	60 Hz: 105, 50 Hz: 85
Water temperatures	3	N/A
<b>Operation</b>		
Cycles*	Heavy Duty, Normal Eco, Perm Press, Delicate, Rinse and Spin, Spin Only	Regular, Perm Press, Delicate, Time Dry, Quick Dry, Fluff Up
Water consumption per cycle litres*	44.3	N/A
Water pressure bar	1.4/8.3	N/A
Cycle indicator lights	Yes	Yes
<b>Power</b>		
Electrical requirements (voltage/Hz/Ph)	240/50/1	Electric 20amp 240/50/1 Gas 10amp
<b>Transport data</b>		
Net weight kg	113	Electric/Gas 66/68
Shipping weight kg	122	Electric/Gas 70/73
Dimensions H×W×D mm	1027×683×704	1027×683×711
Packing dimensions H×W×D mm	1156×737×832	1156×737×832
<b>Agency approvals</b>		
Available agency approvals	See price sheet for applicable agency approvals by market	

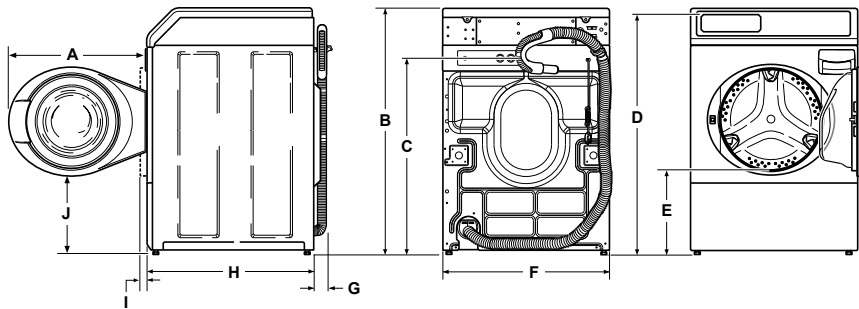
\*Information provided applies to premier control offered by product class.



## Dimensions

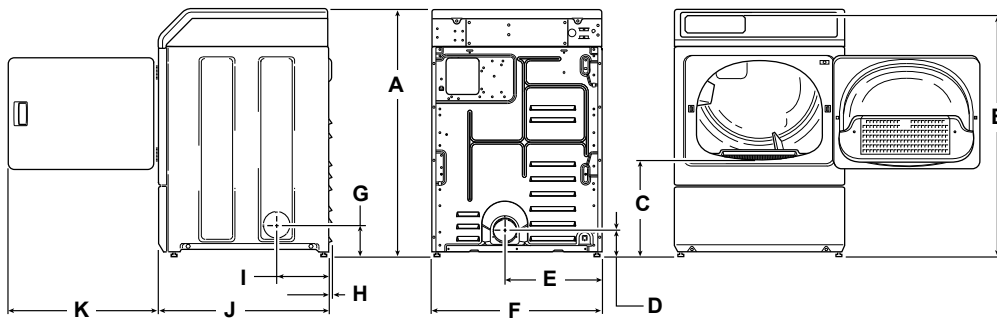
### Front Loading Washer

	A	B	C	D	E	F	G	H	I	J
<b>LFNE5B</b>	611	1027	813	1006	371	683	52	704	40	333



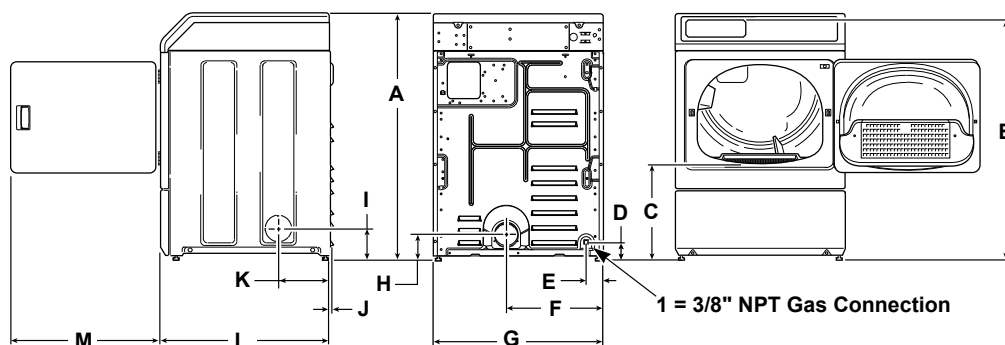
### Electric Dryer

	A	B	C	D	E	F	G	H	I	J	K
<b>LDDE5B</b>	1027*	1006*	392*	102*	391	683	114*	10	203	711	597



### Gas Dryer

	A	B	C	D	E	F	G	H	I	J	K	L	M
<b>LDGE5B</b>	1027*	1006*	392*	70*	60	391	683	102	114*	10	203	711	597



All measurements are in mm. \*With levelling legs turned into base.

NOTE: Exhaust openings are 102 mm metal ducting.

Gas models cannot be vented out left side of cabinet because of burner housing.

IMPORTANT: The dryer should have sufficient clearance around it for needed ventilation and for the ease of installation and servicing. For maximum drying performance, we recommend that more clearance be allowed around the dryer than the

