



# PROVEN PERFORMER

## On-Premises Laundry

LDEE7R (electric dryer), LDGE7R (gas dryer)

### Top loading washer features

- Extra large capacity stainless steel tubs keep clothes looking their best
- Advanced suspension system eliminates the possibility of an unbalanced load
- Commercial quality transmission offers highest quality and durability
- Multi-cycle controls provide washing options to fit your laundry needs

### Single dryer features

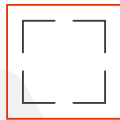
- Durable galvanized steel cylinder with an extra-large 198 litres of volume
- Efficient dryer heating with 5,000 kCal (gas models) and up to 4,000 Watts (electric models)
- Large, easy-to-clean lint compartment
- Reversible door
- 1913.8 sq. cm door opening is the largest in the industry, providing easy loading and unloading



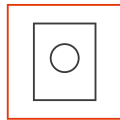
LARGE DOOR  
OPENING



LOW ENERGY  
CONSUMPTION



COMPACT  
DESIGN



ROBUST  
DESIGN

### Controls

#### Top loading washer Electronic Control

The Electronic Control keeps users informed throughout the wash process with cycle status lights and a digital cycle countdown. Users also have the flexibility to control temperature, load type, and soil levels, as well as the option of a pre-wash and/or additional rinse to achieve high levels of efficiency.

#### Single dryer Electronic Control

The Electronic Control keeps users informed throughout the drying process with cycle status lights and a digital cycle countdown. Automatic (moisture sensing) cycles come standard.



LWNE52

LDEE7R, LDGE7R

	LDEE7R (Electric) LDGE7R (Gas)
Type	Single Dryer
Control	Electronic
Control location	Rear
Drum	
Capacity kg	10
Cylinder volume litres	198
Drum speed	
Spin speed G-Force	N/A
Spin speed rpm	N/A
Motor	
Motor size kW	0.25
Cabinet	
Cylinder finish	White
Colours	White
Door type (solid/window)	Solid
Heating	
Heat sources	Gas or Electric
Heating element (Electric W)	4000
Connection	
Gas inlet connection mm	9.5
Gas consumption BTU/Hr	60 Hz: 22,500, 50 Hz: 20,000
Exhaust outlet dia. mm	102
Exhaust airflow litres/sec	60 Hz: 105, 50 Hz: 85
Water temperatures	N/A
Operation	
Cycles*	Regular, Perm Press, Delicate, Time Dry, Quick Dry, Fluff Up
Water consumption per cycle litres*	N/A
Water pressure bar	N/A
Cycle indicator lights	Yes
Power	
Electrical requirements (voltage/Hz/Ph)	Electric 20amp 240/50/1 Gas 10amp
Transport data	
Net weight kg	Electric/Gas 59/61
Shipping weight kg	Electric/Gas 64/66
Dimensions H xWxD mm	1092x683x711
Packing dimensions H xWxD mm	1156x737x832
Agency approvals	
Available agency approvals	See price sheet for applicable agency approvals by market

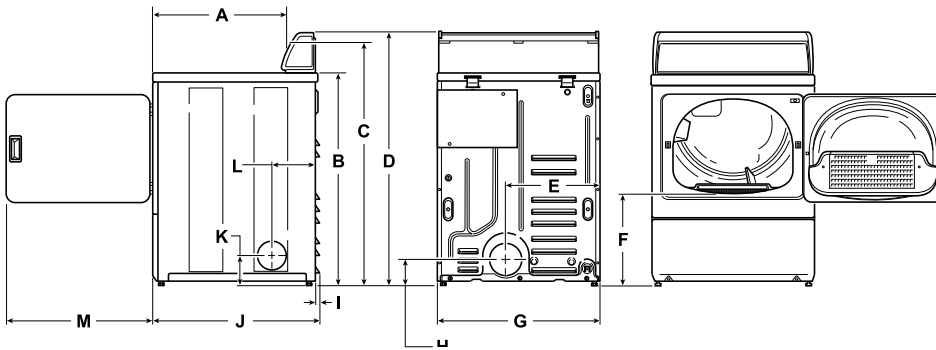
\*Information provided applies to premier control offered by product class.



## Dimensions

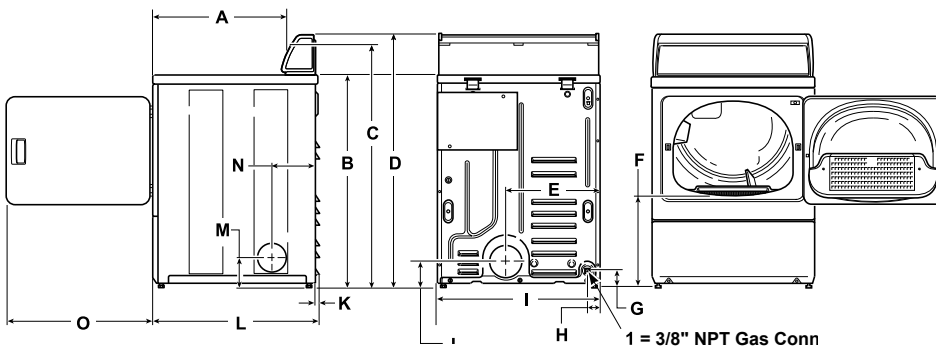
### Electric Dryer

	A	B	C	D	E	F	G	H	I	J	K	L	M
<b>LDDE7R</b>	589	914*	1036*	1092*	391	392*	683	102	10	711	114*	203	597



### Gas Dryer

	A	B	C	D	E	F	G	H	I	J	K	L	M	N	O
<b>LDGE7R</b>	589	914*	1036*	1092*	391	392*	70*	60	683	102*	10	711	114*	203	597



All measurements are in mm. \*With levelling legs turned into base.

NOTE: Exhaust openings are 102 mm metal ducting.

